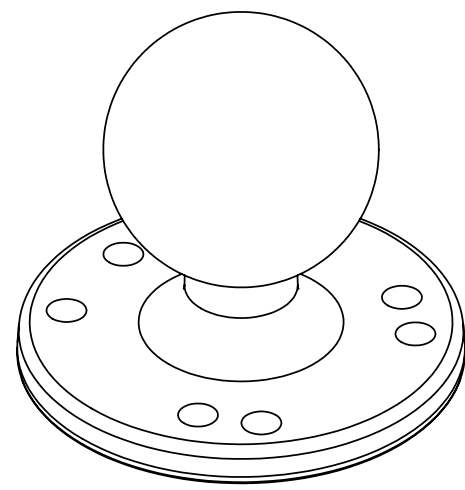
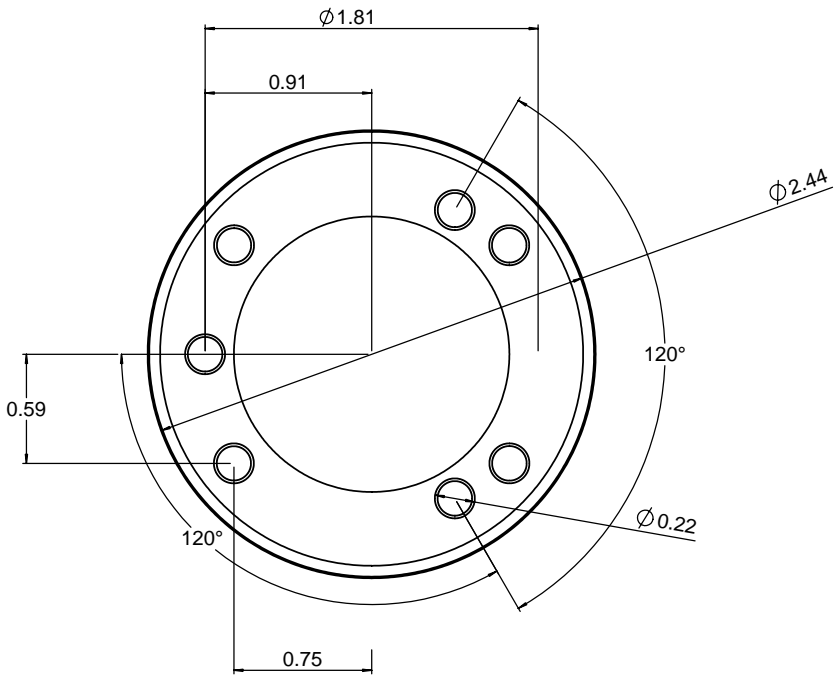
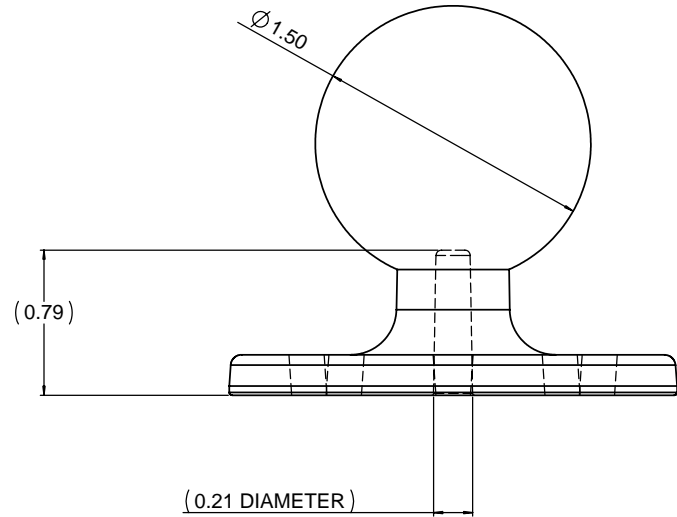
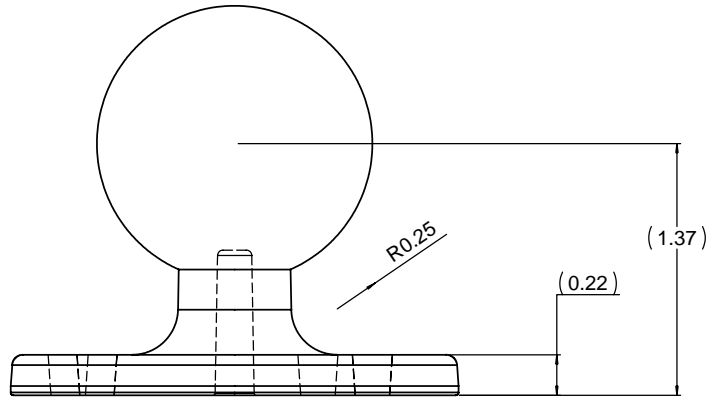


THE INFORMATION CONTAINED IN THIS DRAWING IS THE SOLE PROPERTY OF NATIONAL PRODUCTS INC. ANY REPRODUCTION IN PART OR WHOLE WITHOUT THE WRITTEN PERMISSION OF NATIONAL PRODUCTS INC. IS PROHIBITED.

REV.	DESCRIPTION	DATE	APPROVED



UNLESS OTHERWISE SPECIFIED DIMENSIONS ARE IN INCHES TOLERANCES ARE: FRACTIONS DECIMALS ANGLES ± 1/32 XXX ± .06 ± 1 DEG. XXX ± .030	<table border="1"> <tr> <td>APPROVAL</td> <td>DATE</td> </tr> <tr> <td>JDC</td> <td>01/19/01</td> </tr> <tr> <td>CMR</td> <td>04/20/01</td> </tr> </table>	APPROVAL	DATE	JDC	01/19/01	CMR	04/20/01	<table border="1"> <tr> <td>DATE</td> <td>REV</td> </tr> <tr> <td>01/19/01</td> <td>1</td> </tr> <tr> <td>04/20/01</td> <td>2</td> </tr> </table>	DATE	REV	01/19/01	1	04/20/01	2			
APPROVAL	DATE																
JDC	01/19/01																
CMR	04/20/01																
DATE	REV																
01/19/01	1																
04/20/01	2																
MATERIAL ALUMINUM	FINISH BLACK POWDER COAT	<table border="1"> <tr> <td>SCALE</td> <td>1 TO 1</td> </tr> <tr> <td>CAD FILE</td> <td>RAM202</td> </tr> </table>	SCALE	1 TO 1	CAD FILE	RAM202											
SCALE	1 TO 1																
CAD FILE	RAM202																
<table border="1"> <tr> <td>DESCRIPTION</td> <td>DATE</td> <td>APPROVED</td> </tr> <tr> <td>RAM 2.43" DIA. BASE WITH 1 1/2" DIA. RUBBER BALL</td> <td>01/19/01</td> <td>JDC</td> </tr> <tr> <td>RAM-202</td> <td>04/20/01</td> <td>CMR</td> </tr> </table>		DESCRIPTION	DATE	APPROVED	RAM 2.43" DIA. BASE WITH 1 1/2" DIA. RUBBER BALL	01/19/01	JDC	RAM-202	04/20/01	CMR	<table border="1"> <tr> <td>DATE</td> <td>REV</td> </tr> <tr> <td>01/19/01</td> <td>1</td> </tr> <tr> <td>04/20/01</td> <td>2</td> </tr> </table>	DATE	REV	01/19/01	1	04/20/01	2
DESCRIPTION	DATE	APPROVED															
RAM 2.43" DIA. BASE WITH 1 1/2" DIA. RUBBER BALL	01/19/01	JDC															
RAM-202	04/20/01	CMR															
DATE	REV																
01/19/01	1																
04/20/01	2																
DO NOT SCALE DRAWING		<table border="1"> <tr> <td>SCALE</td> <td>1 TO 1</td> </tr> <tr> <td>CAD FILE</td> <td>RAM202</td> </tr> </table>	SCALE	1 TO 1	CAD FILE	RAM202											
SCALE	1 TO 1																
CAD FILE	RAM202																